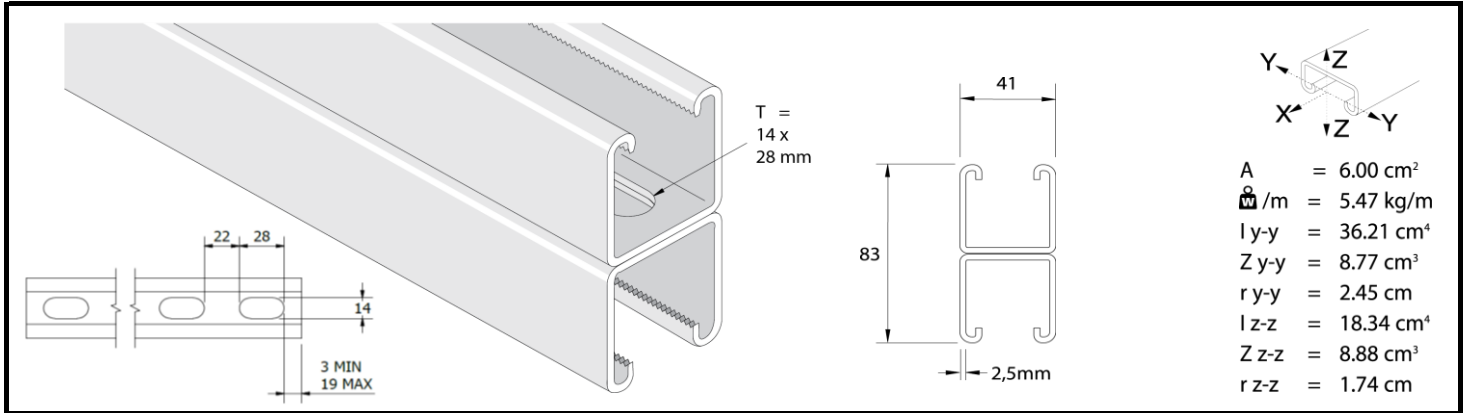


Product Data Sheet

P1001T Double Channel (Slotted)



L(mm)	F		σ=175 N/mm ²	f=1/200L	f=1/360L	F _(kN)
	F _{max(kN)}	f _{max(mm)}				
250	-	-	-	-	-	27.458
500	-	-	-	-	-	27.311
750	16.363	1.21	-	-	-	27.027
1000	12.272	2.15	-	-	-	26.585
1250	9.820	3.36	-	-	-	25.830
1500	8.182	4.84	-	-	7.034	24.584
1750	7.014	6.59	-	-	5.170	22.906
2000	6.131	8.61	-	-	3.953	21.042
2250	5.454	10.90	-	-	3.120	19.198
2500	4.905	13.46	4.552	2.531	-	17.452
2750	4.464	16.28	3.767	2.090	-	15.8520
3000	4.091	19.38	3.159	1.756	-	14.391*

*180 ≤ kL/r < 250

NB: Load data is for **Mild Steel** channels

Material:

- P1001TP:- Plain Coil to BS EN 10025 Pickled & Oiled min. yield 280 n/mm²
- P1001TPG:- Mild steel - BS EN 10346 1.0244
- P1001TH:- Plain Coil to BS EN 10025 Pickled & Oiled min. yield 280 n/mm²
- P1001TDH:- BS EN 10025 S275JO+AR+CL1 or equivalent/better.
- P1001TSS:- Stainless Steel Coil Hot Rolled to B.S.EN10088-2-1.4404+1D

Finishes:

- P1001TP:- Self Colour
- P1001TPG:- BS EN 10346 coating Z275
- P1001TH:- Hot Dip Galvanized - to BS EN ISO 1461: to a mean coating thickness (minimum) of 55 μm.
- P1001TDH:- Hot Dip Galvanized - to BS EN ISO 1461: to a mean coating thickness (minimum) of 85 μm.
110 μm available upon request
- P1001TSS:- Self Colour

